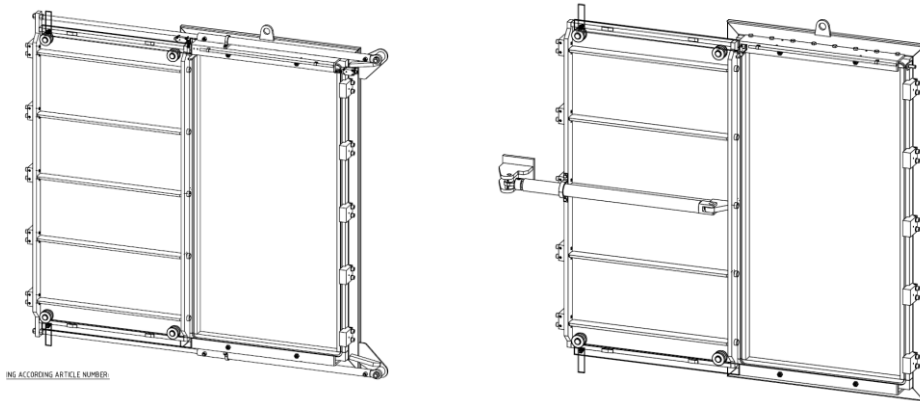


Seagull watertight sliding door

The hand-hydraulic watertight sliding door SEAGULL is our most basic version of watertight sliding door. It is supplied as a completely finished and tested unit, ready for welding in. It combines the well known proven mechanical design of the doors with a standardized and simplified hand-hydraulic system. Available in a wide range of sizes and with various options to assemble a custom made door.

The design and manufacture of SEAGULL doors are in full compliance with the IMO/SOLAS safety regulations regarding cargo vessels (reg 25-9) to fulfil the watertight integrity of the vessel and is type approved by all major classification societies.



General description/operation & control

The SEAGULL is a hand hydraulic watertight sliding door, which means that the door is opened and closed by means of hand pump. Each door has an independent hand pump system capable of closing or opening the door between 20-40 seconds.

Normal local operation

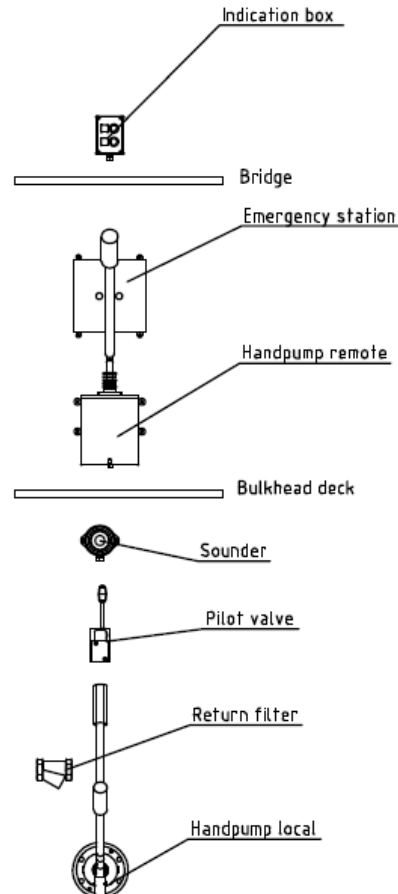
Local operation by means of hand pumps at either side of the bulkhead, closing and opening. To open door the pilot valve/handle and hand pump has to be operated at the simultaneous. To close the door only the hand pump has to be operated.

Emergency remote operation

Emergency operation by a hand pump, above bulkhead deck, closing only.

Alarm/indication signals

Locally there are two audible alarm (sounder) combined with a visual alarm (flash light). At the remote emergency station a visual indication (red/green lights) is present.



/// Specifications**Cylinders**

Standard: Two (2) cylinders, one located at the top of the door, one at the bottom.

Optional: One (1) cylinder, located at the centre of the door.

Note: Cylinder and bracket loose supplied, piping is yard supply.

Sill height

Standard: 140mm sill

Optional: 20mm sill (Low sill execution)

Available sizes

Height: max. 2100mm. Width: max. 1400mm

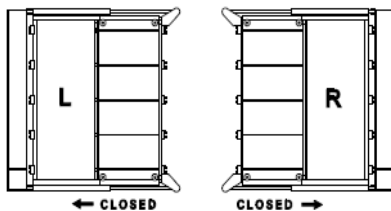
Water pressure

Max. 25 mWc (i.e. test pressure) at size 2000x800 mm

Limited to 8,5 mWc (i.e. test pressure) at size 2100x1400 mm



Option: Low sill

Sliding directions**Sliding direction:**

L = left closing

R = right closing

Hydraulic system

Local: Local hand pump, operable at both sides of door; Pilot valve, operable at both sides of door, Y-filter, non-return valve. Above bulkhead deck (safety station or bridge): 5L tank hand pump, closing only.

Electrical system

Local: IP68 position sensors open/closed. IP66 sounder/flashlight. Above bulkhead deck (safety station or bridge): Ritall e-box with open/close indication and VDR interface (pot free contacts). On bridge (in case remote hand pump is not placed on bridge): IP67 indication box open/closed. Power supply: 24VDC for control and indication system (50W).

Surface treatment

Door frame and door plate: Shotblasted SA2,5 and primed with one layer of Hempel's shop primer E1527C.

Cylinders: Shotblasted and primed. Catch blocks, rails, wheels and tank: Galvanised.

Installation, operation and maintenance manual

Two (2) hard copy in English language.

One (1) CD-Rom in English language.

General arrangement drawings

- 445.11.co HxW (1 cyl. LC)

- 445.51.co HxW (2 cyl. LC)

- 445.21.co HxW (Low sill LC)

- 445.12.co HxW (1 cyl. RC)

- 445.52.co HxW (2 cyl. RC)

- 445.22.co HxW (Low sill RC)

All components are pre-mounted by Winel incl. local electric wiring unless otherwise specified.

/// Mandatory selections

Hand pump

- One hand pump operable by two handles, on both sides of the bulkhead
- Two hand pumps, both operated parallel with door movement

Control

- Single Control; control handles with bulkhead feed through
- Double Control; two separate control handles without bulkhead feed through

/// Options

Sill plates

Sill plate stainless steel for flush installation on deck: pre-mounted bolted hinged plate mounted on doorframe. Plate will be lifted up by doorplate during closing of the door. *For 140mm sill only.*

A60 Insulation

The door blade will be insulated with an approved A60 MED insulation material. The hand pump and control handle at bulkhead will be elongated to accommodate insulation material at bulkhead plate.

Fire door on frame

An additional A60 hinged fire door will be placed on the door frame.

EEX sounder/flashlight

An EEX sounder/flashlight will be placed on the non-component side of bulkhead in case EEX is applicable on that side of door.

End layer paint inside bulkhead plate

For easy painting on board the inside bulkhead plate can be painted in a final colour (to be advised by yard at order) before installation of the components.

End layer paint door and frame

The complete doorframe and doorplate can be painted in a final colour (specification to be advised by yard at order). Note: Paint will be damaged during testing, transport and installation on board.

Installation, operation and maintenance manual

Additional hard copy in English language.
Additional CD-rom in English language.