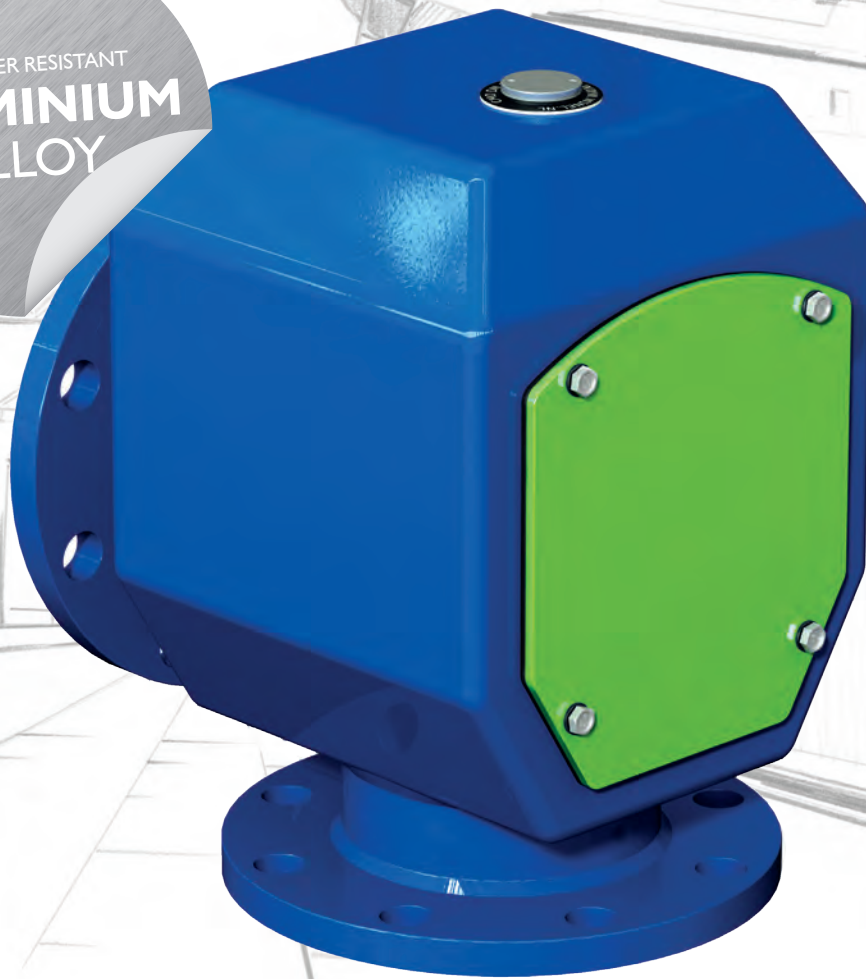


SEAWATER RESISTANT
**ALUMINIUM
ALLOY**



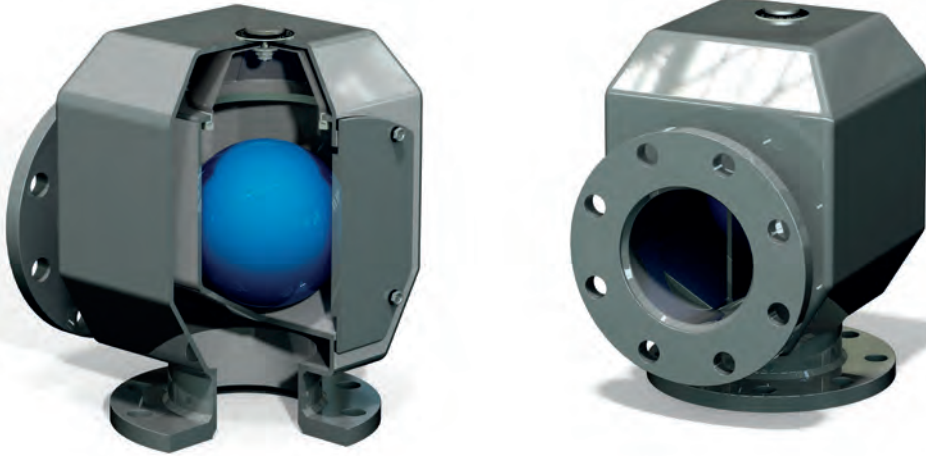
Aluminium Tank Vent Check Valves - Overflow

- /// Slim line small design
- /// Seawater resistant aluminium alloy ALMG4.5
- /// High flow capacity
- /// World wide dealer network
- /// Type approved by all classifications
- /// Mutual Recognition Type Approval Certificate
- /// Light Weight, high performance
- /// Strong Alloy structured

Winel produces valves for over 60 years and holds type approvals from all major classification societies.

Mutual Recognition Type Approval Certificate;
This is to certify that these product(s) has/have been tested with satisfactory results in accordance with the relevant requirements of the European Union Recognised Organisations Mutual Recognition procedure for Type Approval (ABS, DNV/GL, LR, BV, CCS, KR/KRS, NK/ClassNK, PRS, RINA, RINA VE, RMRS/RS).

Product specification



Aluminium Tank Vent Check Valves CMO

- Type CMO - Overflow model
- Sizes: DN40 - DN400

Standard type

- Seawater resistant Aluminium Alloy
- Material: Aluminium Almg4.5
- Thickness according IACS rules
- Floater; PE float Ball
- Flange hole pattern DIN2576 PN10
- Flange hole pattern JIS5K
- Flange hole pattern ANSI 150 lbs
- High Liquid Flow
- High Air inlet flow
- Type approved

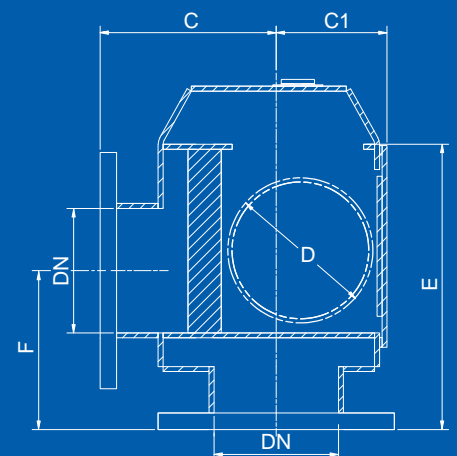
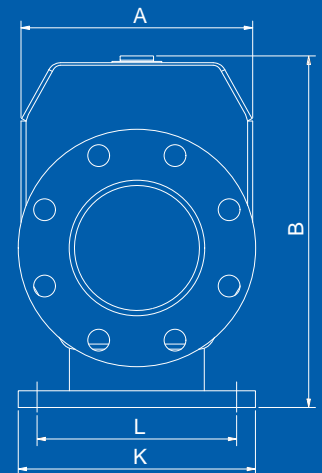
Options

- Stainless Steel Screen
- Other flange connections
- Coating
- Powder Coating

CMO DN PN10 Flange

DN	40	50	65	80	100	125	150
A	124	124	139	159	207	240	278
B	246	246	266	296	336	376	421
C	163	163	173	180	160	175	213
CI	82	82	92	99	109	123	142
D	60	60	75	90	120	145	175
DN	40	50	65	80	100	125	150
E	211	211	226	245	276	310	345
F	132	132	141	154	163	175	192
K	150	165	185	200	220	250	285
L stc	110	125	145	160	180	210	240
L boltholes	4 / ø18	4 / ø18	4 / ø18	8 / ø18	8 / ø18	8 / ø18	8 / ø22
Weight [kg]	4,6	5	6,3	7,4	9,4	12,4	16,6
Flow at 0,25 bar * [m3/h]	16,5	17,0	34,9	50,1	73,6	100,2	136,6
Flow at 0,25 bar ** [m3/h]	16,0	15,7	29,9	47,0	66,0	90,9	120,1
Flow at 0,25 bar *** [m3/h]	18,1	16,8	31,0	50,5	76,2	107,3	159,7
Max Air Flow [m/sec]	25,6	25,6	26,2	25,6	21,0	20,5	18,7
Max Air Flow [m3/h]	145,0	145,0	250,0	371,0	475,0	725,0	952,0

DN	175	200	250	300	350	400
A	318	362	468	564	650	757
B	462	513	654	808	914	1038
C	233	245	273	345	351	395
CI	156	168	195	216	187	210
D	200	277	300	360	400	480
DN	175	200	250	300	350	400
E	380	423	524	637	727	838
F	217	238	279	328	375	413
K	315	340	395	445	505	565
L stc	270	295	350	400	460	515
L boltholes	8 / ø22	8 / ø22	12 / ø22	12 / ø22	16 / ø22	16 / ø26
Weight [kg]	22,7	27,3	39,8	82,4	105,3	139,5
Flow at 0,25 bar * [m3/h]	190,6	236,9	334,4	473,9	690,0	726,0
Flow at 0,25 bar ** [m3/h]	171,0	225,3	323,9	447,1	486,6	609,0
Flow at 0,25 bar *** [m3/h]	204,1	236,8	366,3	496,1	723,0	906,0
Max Air Flow [m/sec]	20,3	18,4	16,3	16,8	13,3	13,0
Max Air Flow [m3/h]	1406,0	1665,0	2304,0	3420,0	3685,0	4705,0



All sizes in mm
 * With Screen 18 Mesh, ** With Screen 30 Mesh,
 *** Without Screen

Winel reserves the rights that these data can be subject to correctional changes