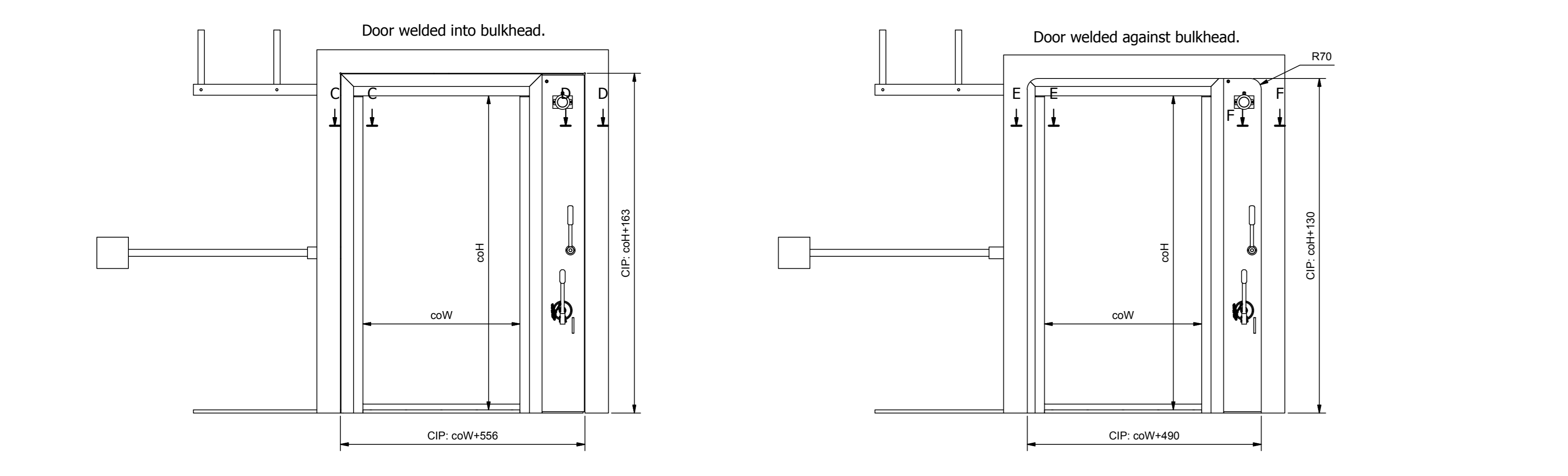
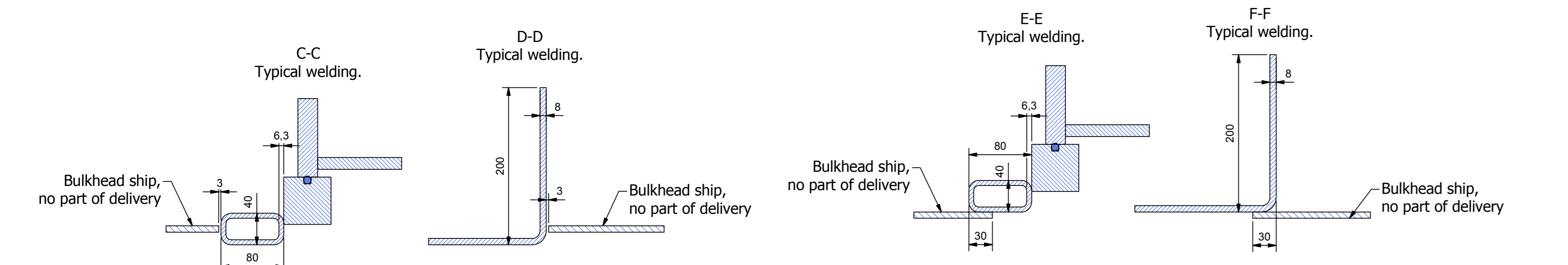
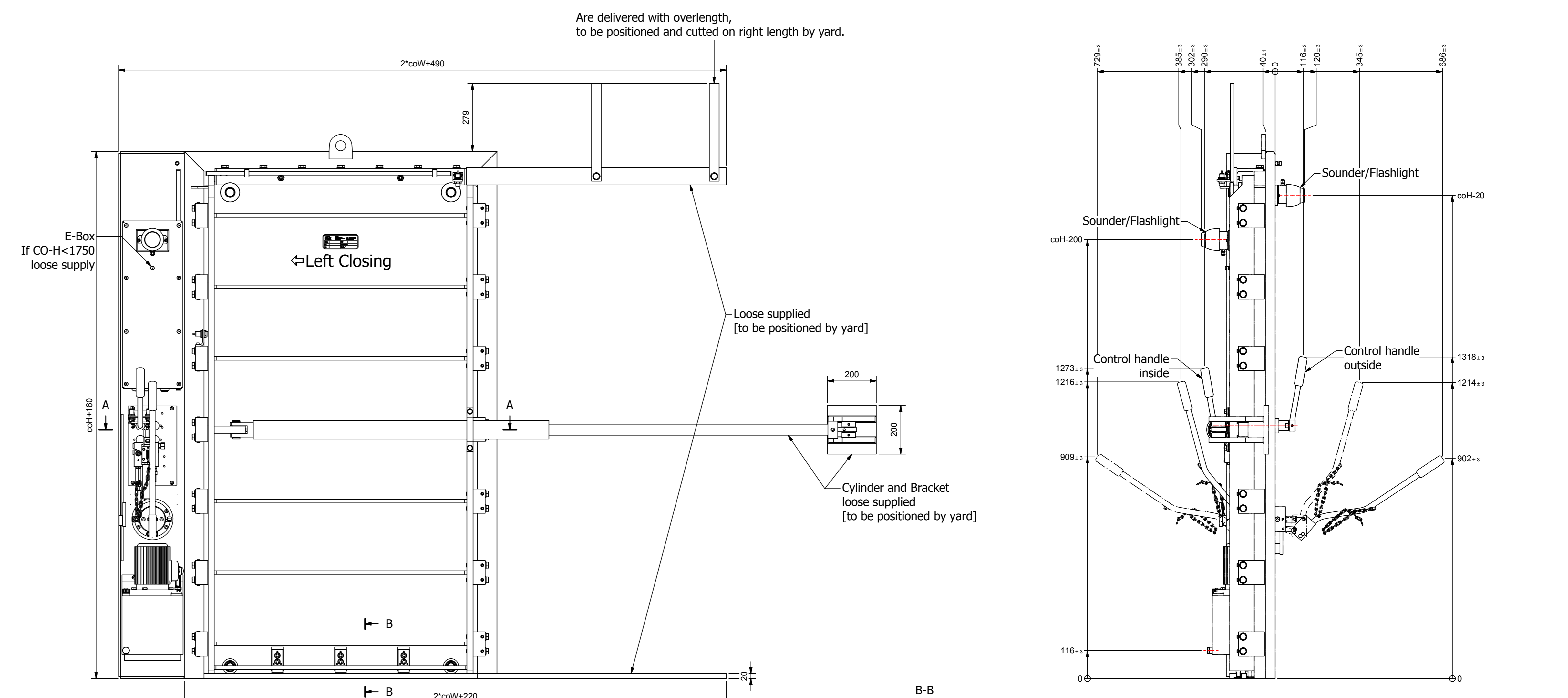
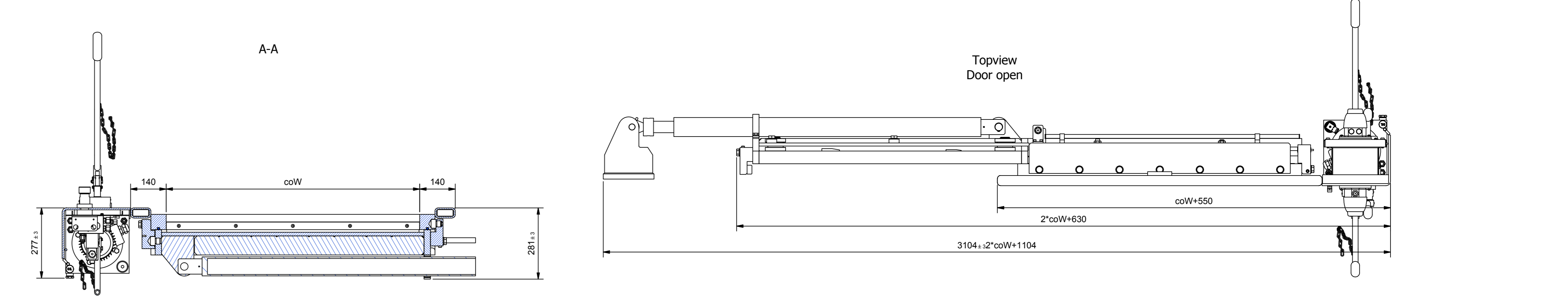
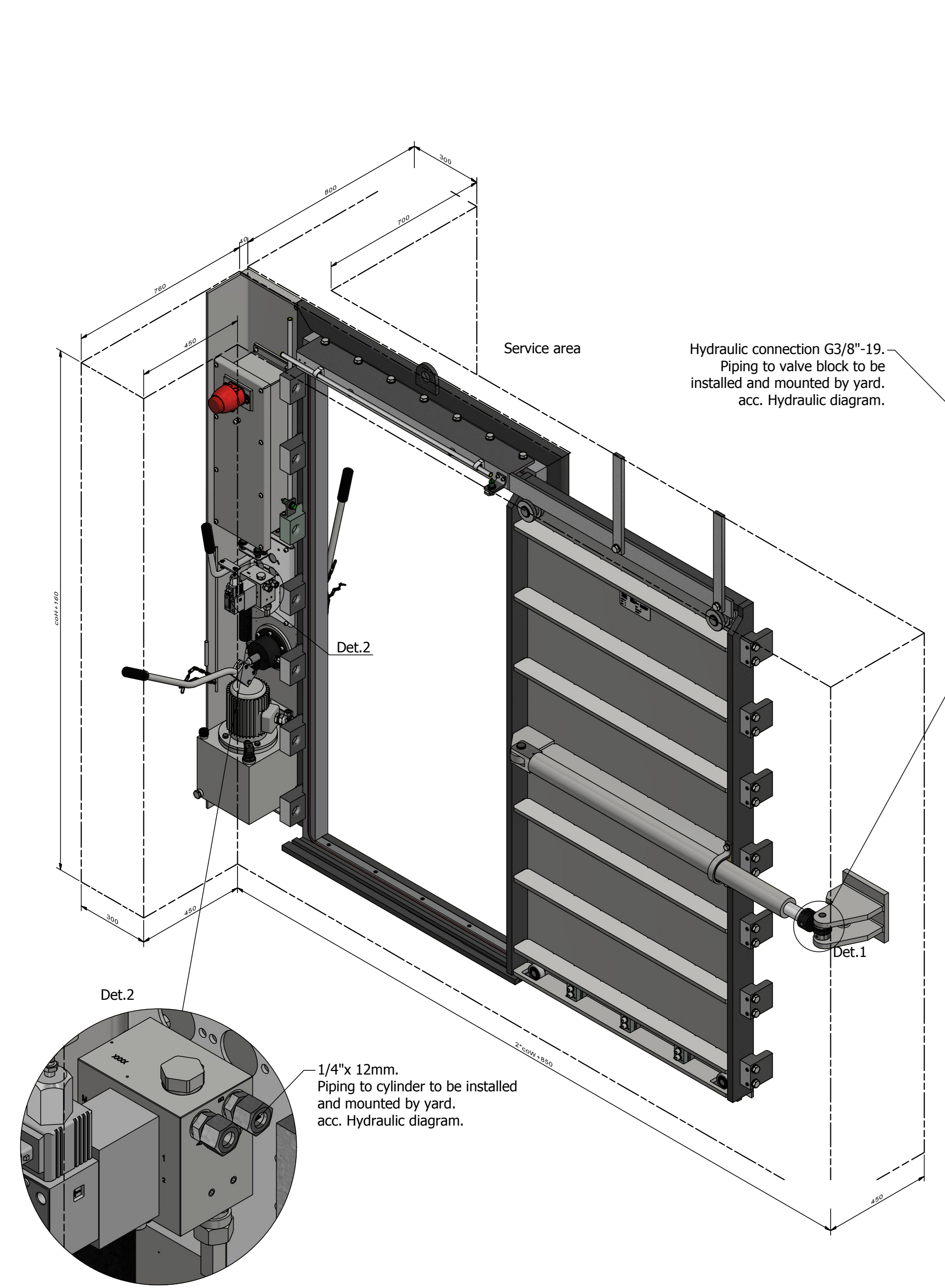


16 15 14 13 12 11 10 9 8 7 6 5 4 3 2 1



Description:		Name:	Date:	Rev:
Weight:		Drawn:	J.G.	24-10-2013
Dimensions in mm.		Engineer:	J.G.	
Description: <b>Eagle Low-sill LC</b>				
Reference:				
Drawing number: <b>441.21.co HxW</b>				
The drawing and design shown is our property and may not be used or disclosed for any third person without our specific written approval.				

16 15 14 13 12 11 10 9 8 7 6 5 4 3 2 1