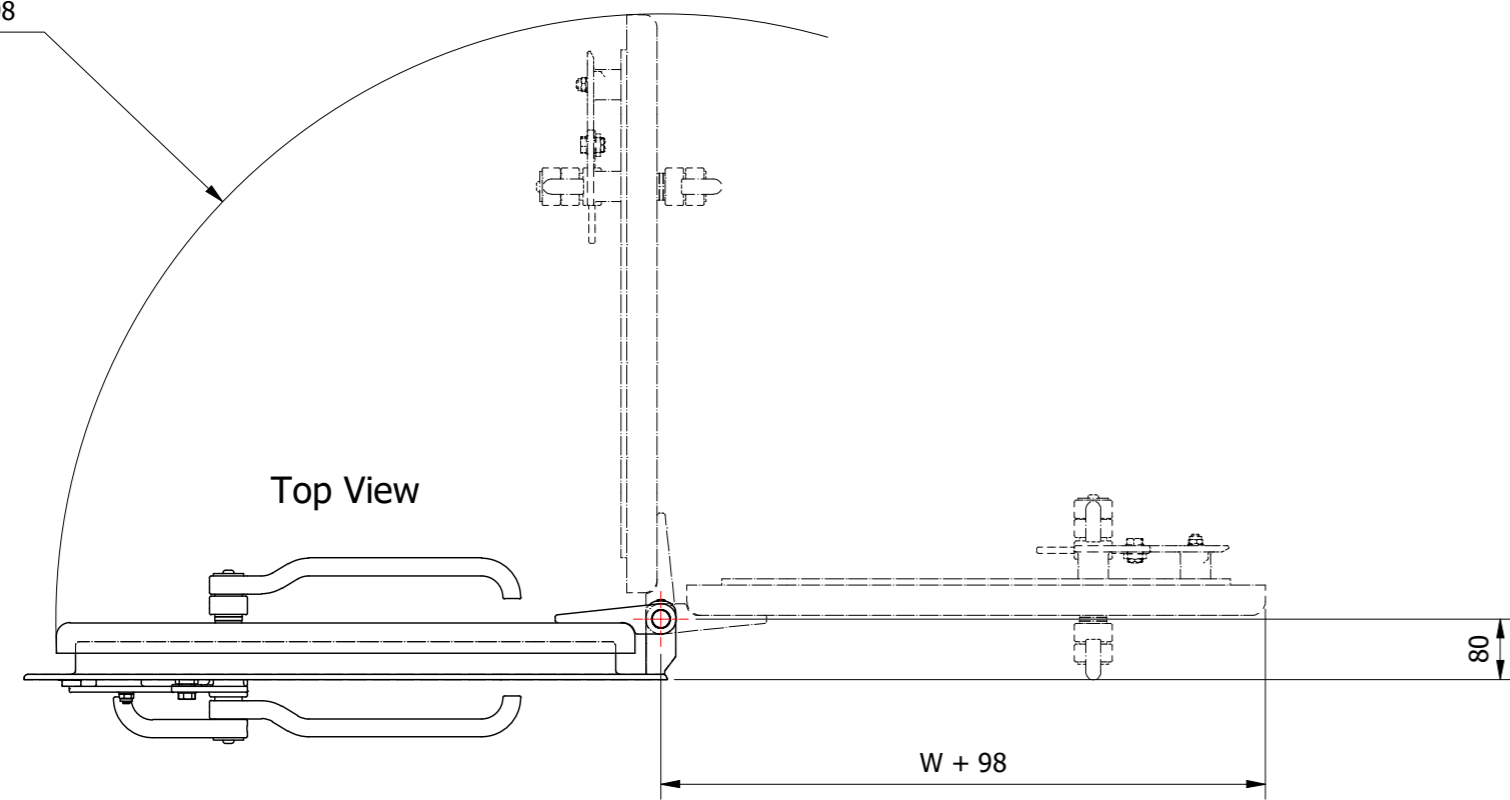
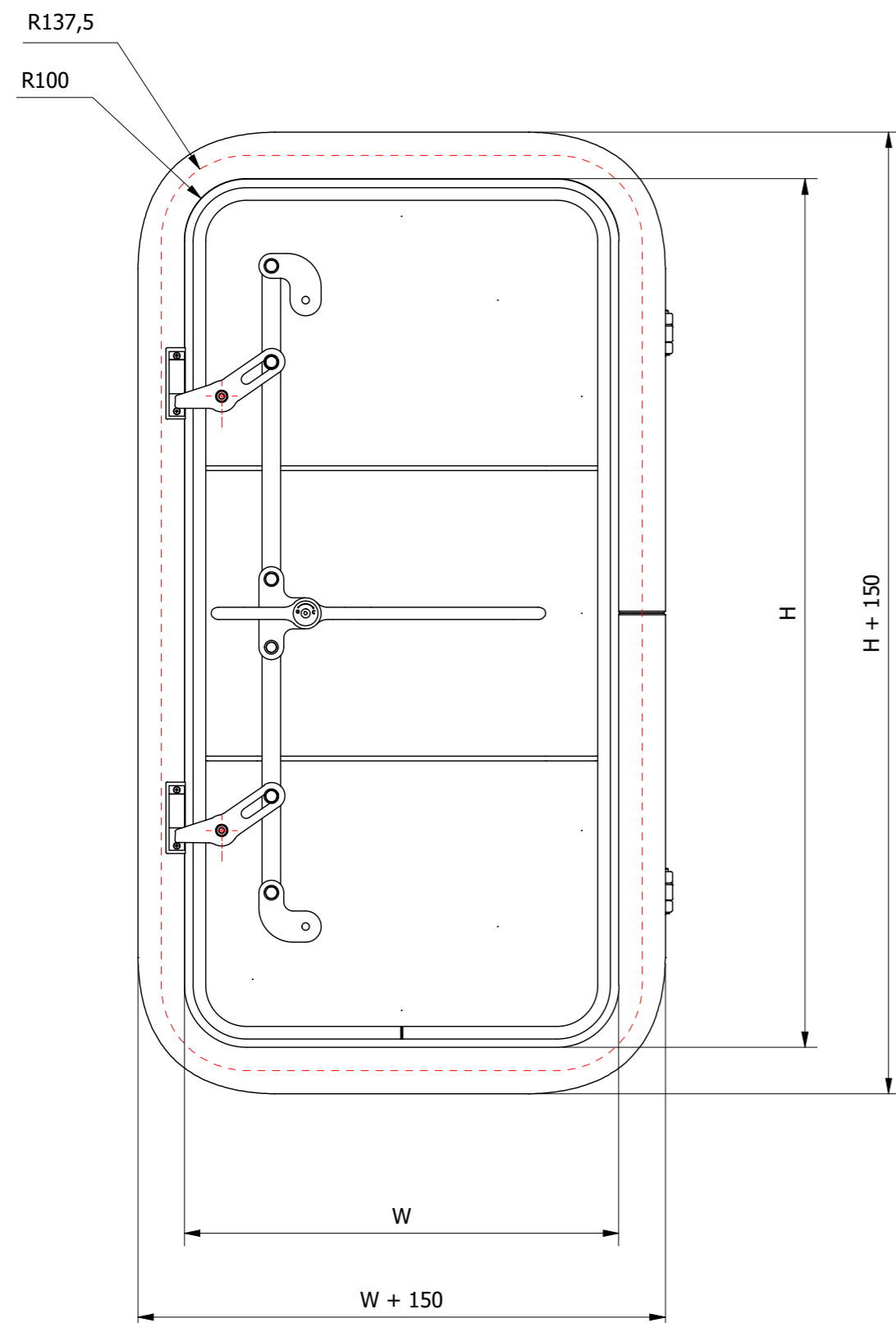


R = W + 98

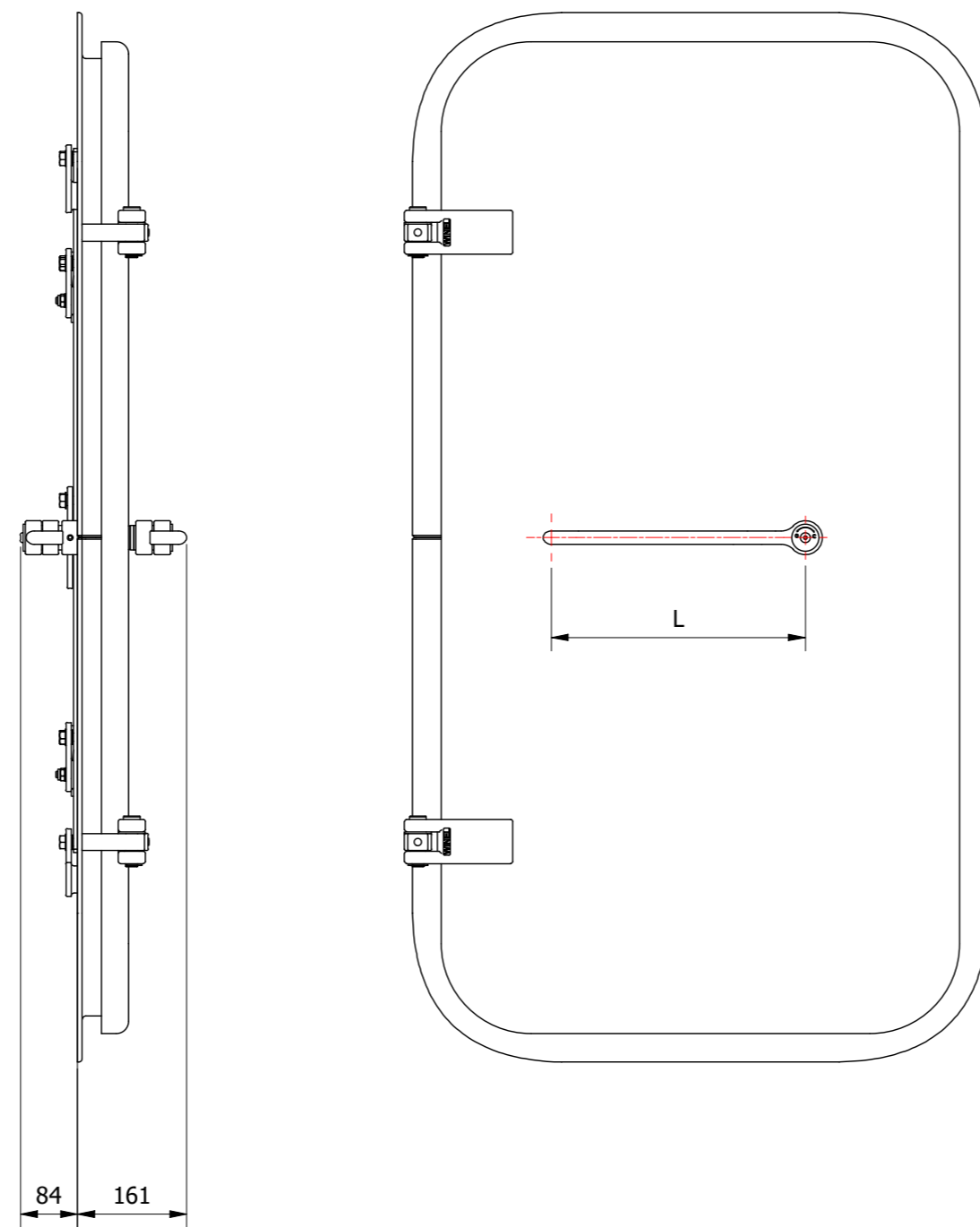
Top View



Inside View



Outside View



- Doorplate: Grade A / Aluminium / Stainless Steel ; 8 mm
- Coaming: 75x50x7 Steel / Aluminium / Stainless Steel
- Cleats: Cast stainless steel: 1.4408 / ATSM CF8M equivalent to 1.4404 / AISI 316
- Mechanism: Stainless Steel 1.4404 / AISI 316L
- Seal: Seal 42.5x20.4 EPDM
- Wedge: Brass / POM
- Hinge: Stainless Steel or Aluminium with Orkot® bearing and Stainless Steel Axle

- Insulation : Rockwool Marineslab 55 or FireMaster Marine Plus Blanket :40mm / 70 kg m³

- Clear Opening: H x W
- Cut in plate: H + 75 x W + 75
- Outside dimensions: H + 150 x W + 150
- Handle length: L =375

		RM	1-12-2022	-	
Revision Description		Name	Date	Rev	
Weight: N/A		Status:	Released		
		Engineer: RM	24-7-2016		
American projection:	Description: SPLT Musketeer Door, 2 cleats, LH				
 info@winel.nl www.winel.nl +31 (0)592 366 060	Reference: WINEL Product catalog				
	Drawing number: 9541 XXXX		Rev.	Sheet	Size
			-	1 / 1	A2
Dr. A.F. Philipsweg 55 9403 AD Assen The Netherlands The drawing and design shown is our property and may not be used or disclosed for any third person without our specific written approval.					