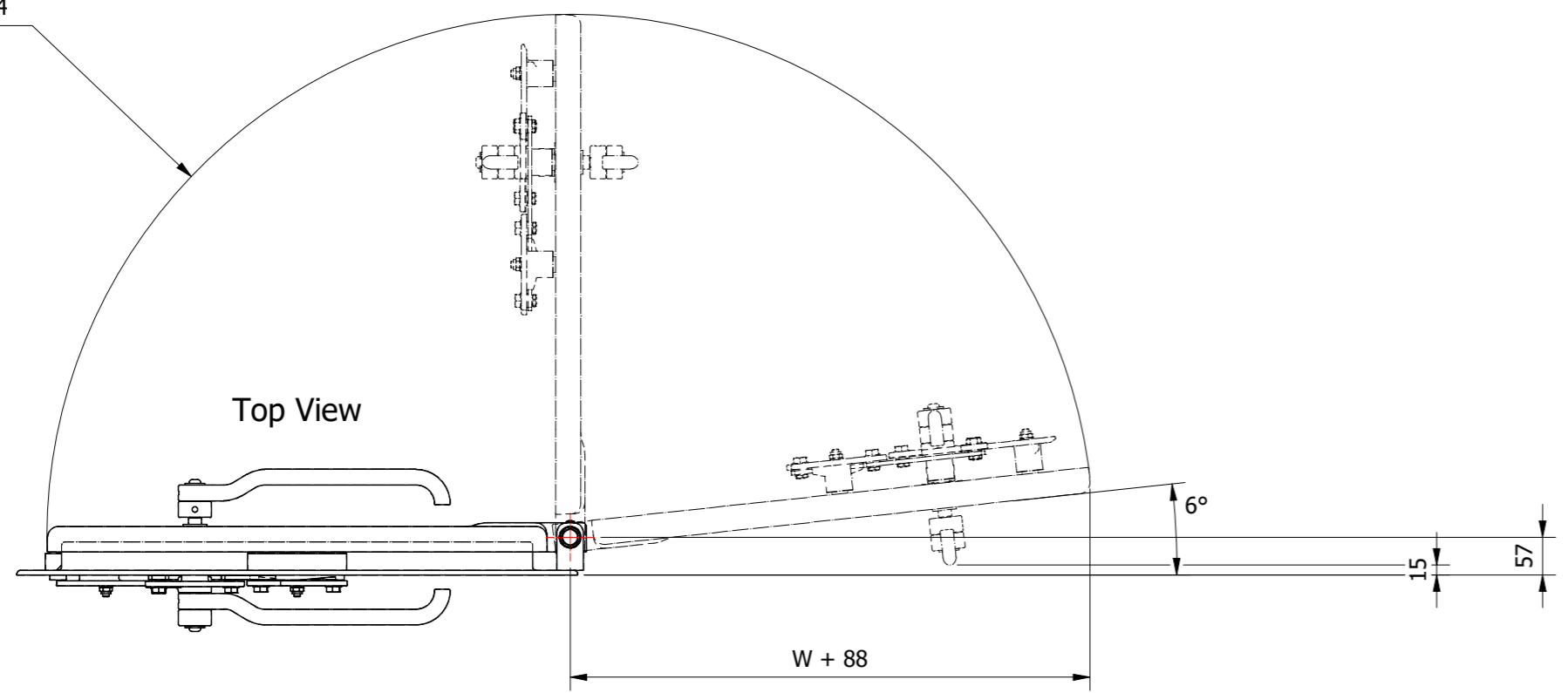
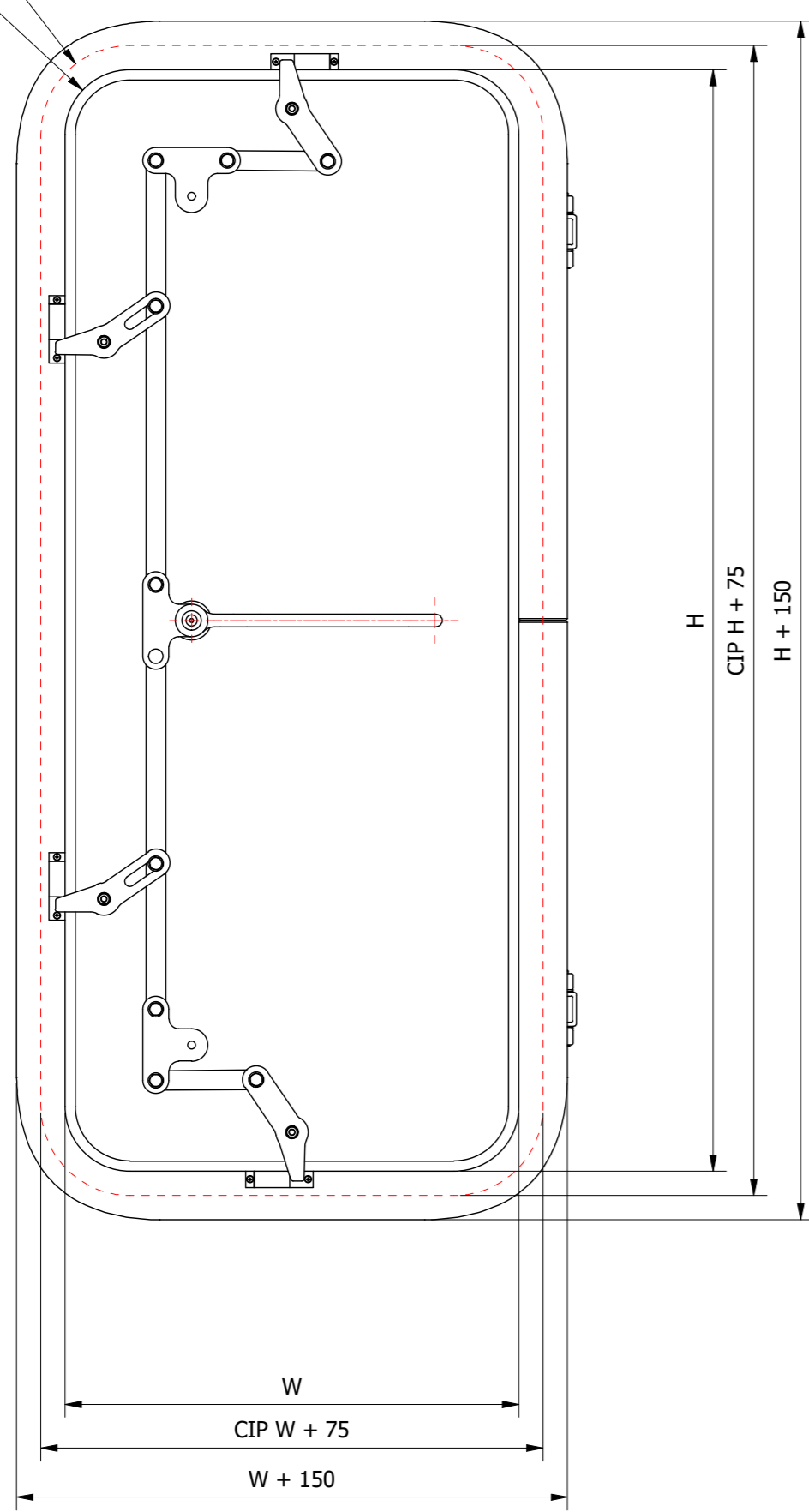


$R = W + 94$

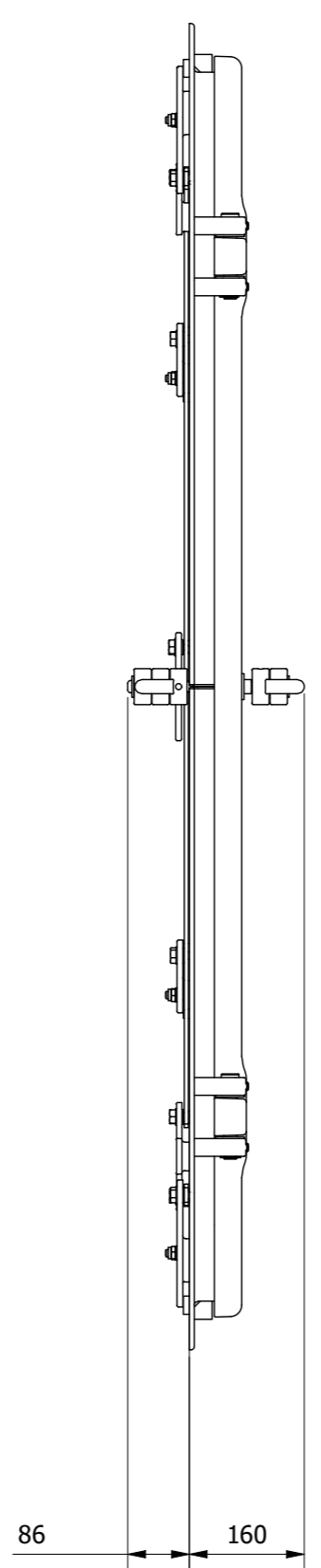


Top View

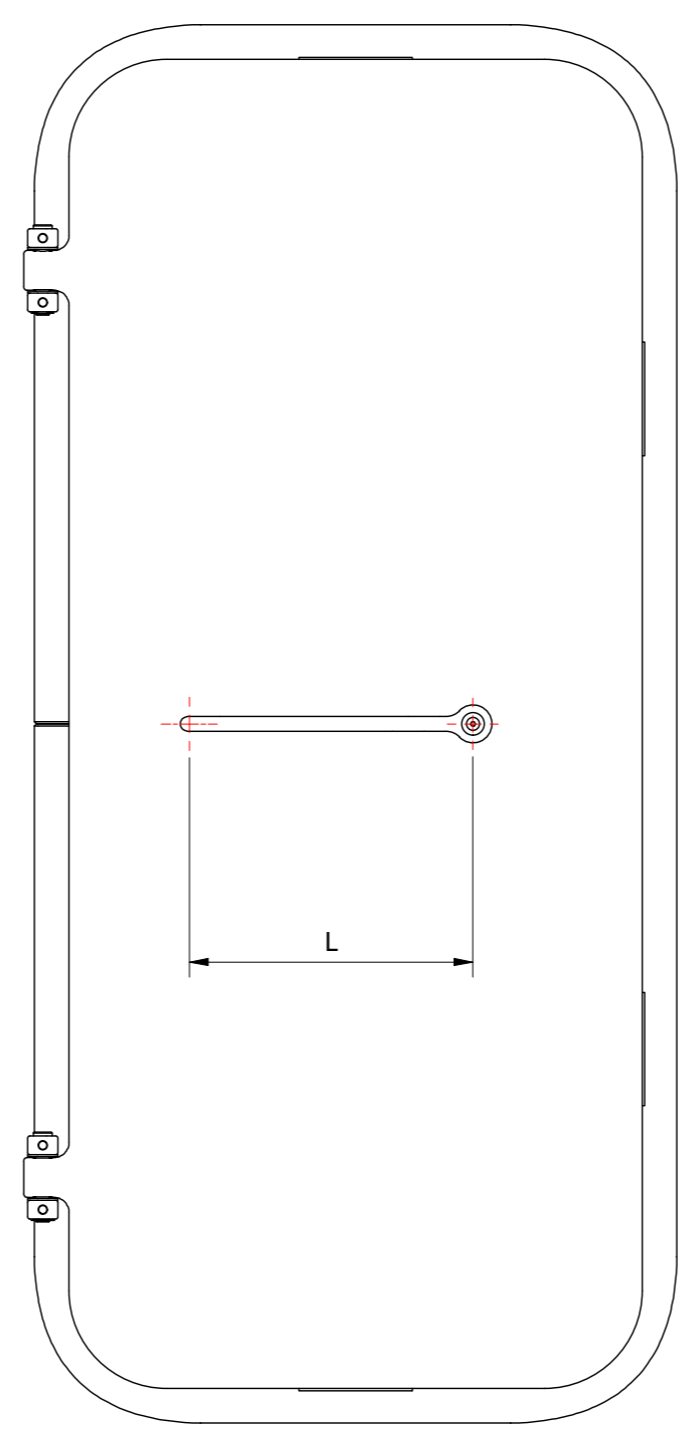
R137,5  
R100



Inside View



Outside View



- Doorplate: GRP sandwich composite with foam core
- Coaming: 75x50x7 Steel / Aluminium / Stainless Steel
- Cleats: Cast stainless steel: 1.4408 / ATSM CF8M equivalent to 1.4404 / AISI 316
- Mechanism: Stainless Steel 1.4404 / AISI 316L
- Seal: Seal 42.5x20.4 EPDM
- Wedge: Brass / POM
- Hinge: Stainless Steel Insert with Orkot® bearing and Stainless Steel Axle

Insulation : N/A

- Clear Opening: H x W , subjected to mould list
- Cut in plate: H + 75 x W + 75
- Outside dimensions: H + 150 x W + 150
- Handle length: L = 375

		RM	10-2-2021	-	
Revision Description		Name	Date	Rev	
		Status:	Released		
		Engineer:	RM	10-2-2021	
American projection:	Description: <b>GRP WET Musketeer Door LH 4 cleats</b>				
 info@winel.nl www.winel.nl +31 (0)592 366 060	Reference: Winel product catalog				
	Drawing number: <b>9542.5XXXX</b>		Rev.	Sheet	Size
			-	1 / 1	A2
Dr. A.F. Philipsweg 55 9403 AD Assen The Netherlands					
The drawing and design shown is our property and may not be used or disclosed for any third person without our specific written approval.					