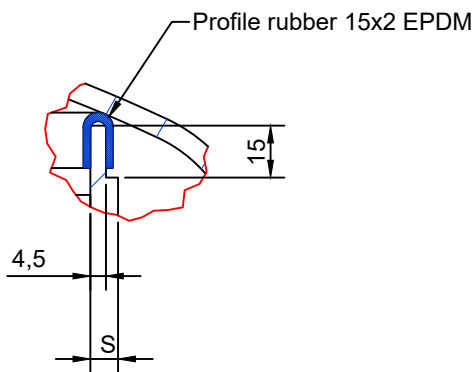


A (1 : 2)
Detail seal



Standard type:
Material: galvanised steel body.
With closure.

Options:
With seal.
Without handwheel (cover to be turned by hand)

DN	100	150	200	250	300	350	400
A	159	219	273	356	406	450	550
B	250	250	250	250	300	300	300
C	346	368	390	408	429	469	510
D	98,3	152,3	203,1	257	307,9	350	400
S	8	8	8	8	8	5	5
kg	10	15	20	24	32	30	39

Material: S235JR

Status: WorkInProgress

Treatment:

Engineer: RM

23-6-2023

American projection:

Description:

Mushroom Type 4 Bottom Operated

Reference:

Drawing number:

9543.64.000.00

Rev. Sheet Size

- 1 / 1 A4



info@winel.nl
www.winel.nl
+31 (0)592 366 060
Dr. A.F. Philipsweg 55
9403 AD Assen
The Netherlands

The drawing and design shown is our property and may not be used or disclosed for any third person without our specific written approval.
General tolerances according to ISO 2768-1 m, roughness according to ISO 1302 N8. Dimensions in mm.