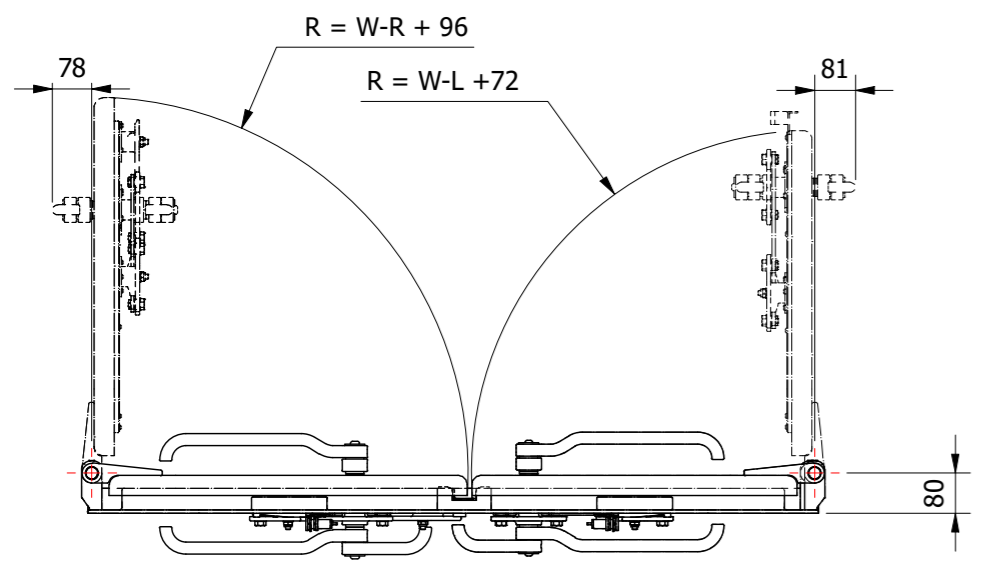
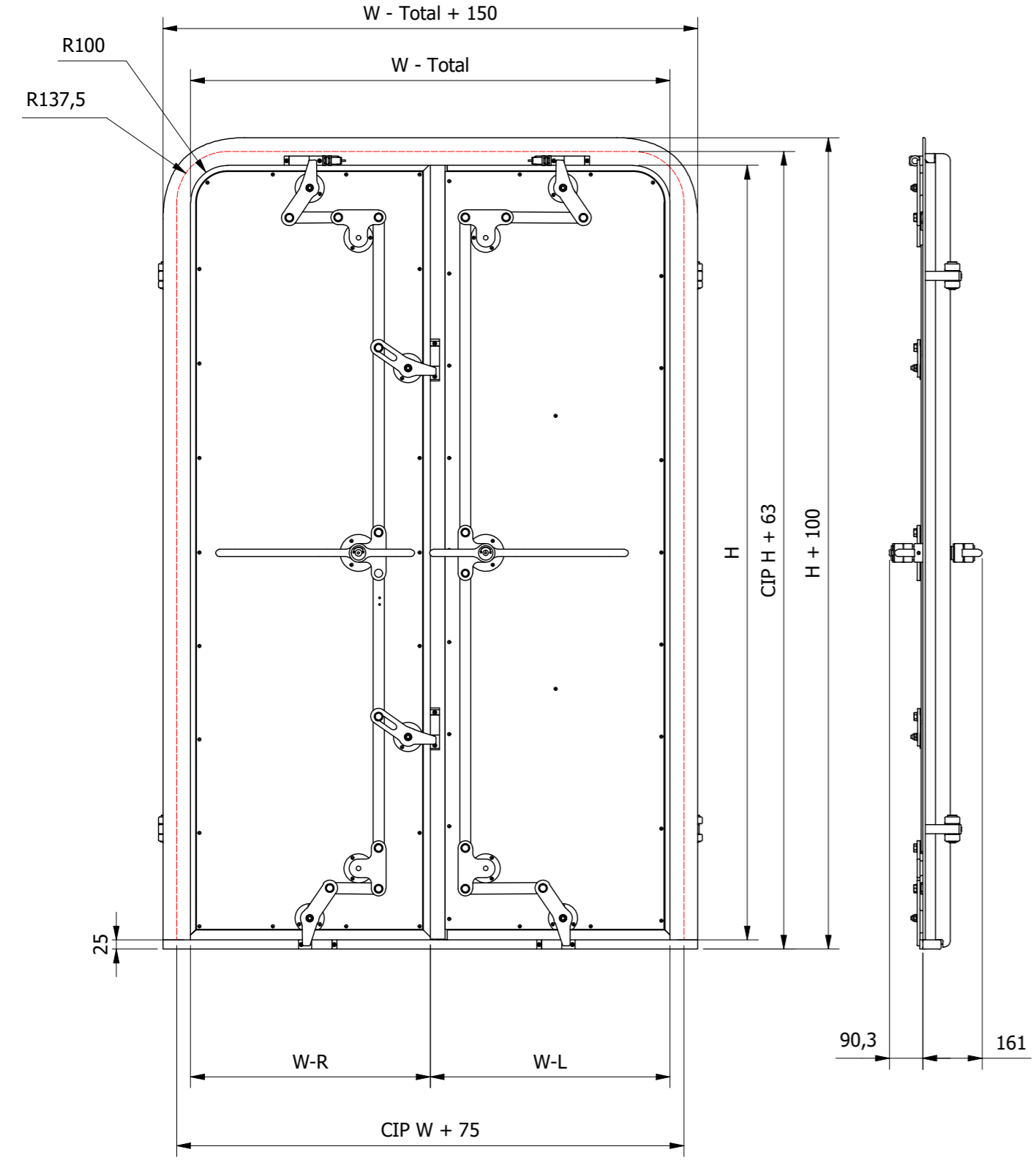


8 7 6 5 4 3 2 1

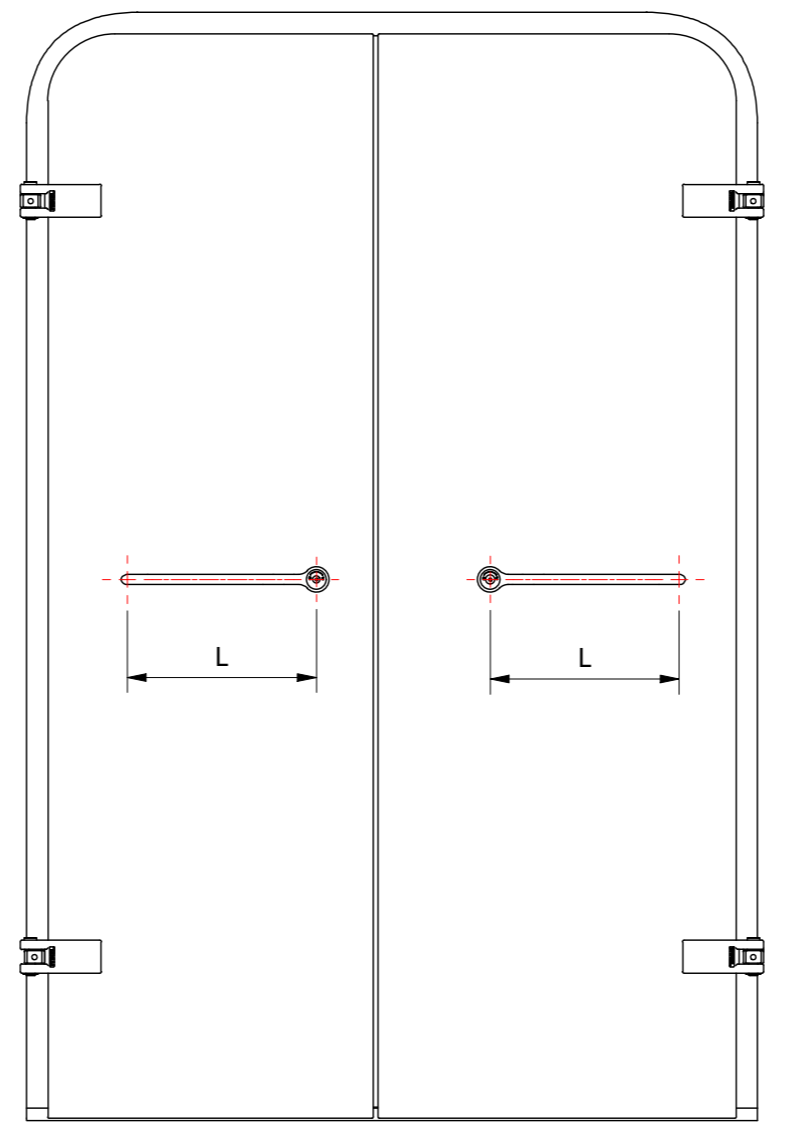
Top View



Inside View



Outside View



- Doorplate: Grade A / Aluminium / Stainless Steel ; 8 mm
- Coaming: 75x50x7 Steel / Aluminium / Stainless Steel
- Cleats: Cast stainless steel: 1.4408 / ATSM CF8M equivalent to 1.4404 / AISI 316
- Mechanism: Stainless Steel 1.4404 / AISI 316L
- Seal: Seal 42.5x20.4 EPDM
- Wedge: Brass / POM
- Hinge: Stainless Steel or Aluminium with Orkot® bearing and Stainless Steel Axle

Insulation : Rockwool Marineslab 55 or FireMaster Marine Plus Blanket :40mm / 70 kg m³

- Clear Opening: H x W
- Cut in plate: H + 63 x W - Total + 75 (square at bottom)
- Outside dimensions: H + 100 x W-total + 150
- Handle length: L =375

		RM	26-6-2023	-
Revision Description		Name	Date	Rev
		Status:	Released	
		Engineer:	RM	9-3-2018
American projection:	Description: Splashtight Double Musketeer Door Low Sill			
 info@winel.nl www.winel.nl +31 (0)592 366 060		Reference: Winel Product Catalog		
		Drawing number: 9542.9A XXXX		Rev.
Dr. A.F. Philipsweg 55 9403 AD Assen The Netherlands		-	1 / 1	A2
The drawing and design shown is our property and may not be used or disclosed for any third person without our specific written approval.				

8 7 6 5 4 3 2 1